

# Kondor 2 Routing Switcher Level

## Key Features

- ▶ Every module hot swappable
- ▶ Fully expandable
- ▶ Mix and match Video, SDI, HDTV, audio and AES/EBU in the same frame
- ▶ Performance remains constant with size
- ▶ Status LEDs for alarms
- ▶ Very efficient 1000W power supplies
- ▶ Redundancy options for power supplies and matrix switching cores
- ▶ Signal presence indicators for each input and output
- ▶ Universal 5RU frame
- ▶ Short signal path

## Ordering Information

See reverse



## Overview

Codan Broadcast's NK Series of routers can now be extended to sizes up to 256x256 through the use of a Kondor 2 Routing Switcher Level.

The Kondor 2 provides a trusted and proven routing switcher capability in its own right. Many hundreds of Kondor 2 systems have been used worldwide in outside broadcast vans, production, post-production and studio environments, encompassing the most sophisticated and demanding applications. The Kondor 2 is engineered with no active components fixed inside the frame. The flexibility of the Kondor 2 is the uniquely engineered architecture of the 8-channel and 16-channel I/O cards and the innovative free-form backplane.

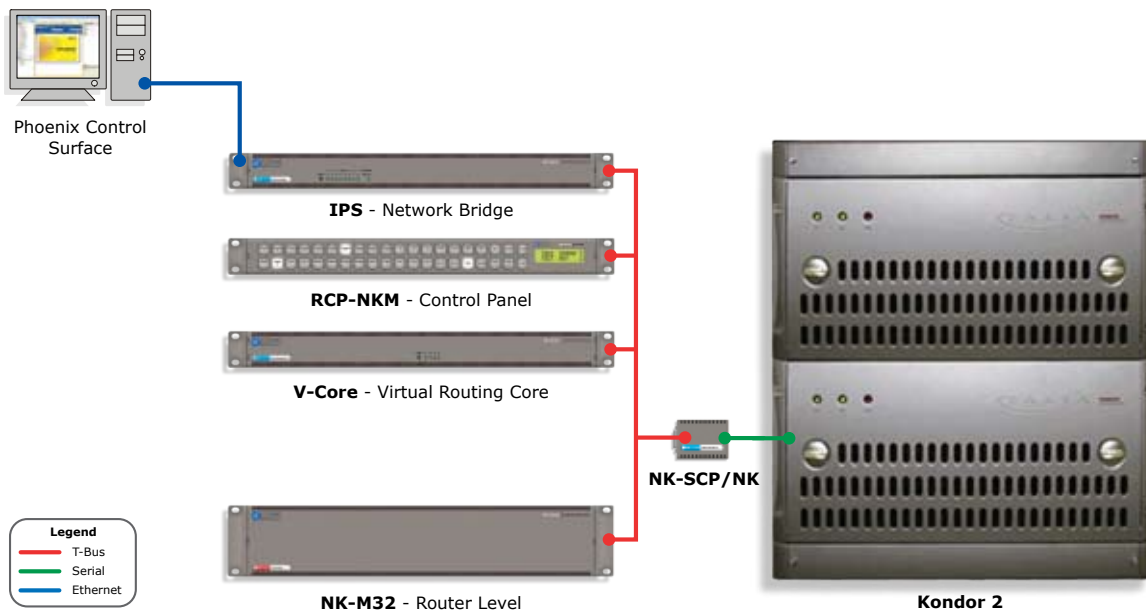
The Kondor 2 offers users the ability to mix and match video, SDI, HDTV (SD/HD multi-definition), audio and AES/EBU signals – all in the same high-density rack frame.

A 5RU frame houses 25 modules. Multiple frames may be joined together for large configurations. Each frame slot can house input or output cards, a matrix switching core or a power supply, giving maximum flexibility to customers.

All devices in a Kondor 2 frame (I/O cards, matrix switching cores and power supplies) are hot swappable without taking the router off-line and without removing any signal cable. In addition, users can move from SDI to HDTV eight inputs/outputs at a time – all at nominal cost.

A 1RU fan system with front removable fan tray sits on top or bottom depending on cooling needs. The fan trays slide out for service and replacement while the system is operational. Three high efficiency fans draw air in through the filtered front door, through the power supplies, up through the cards, and exhaust via the back and sides. Other cooling options are available for systems made up with multiple frames.

With the Kondor 2 Routing Switcher Level the NK Series of routers now provides capacity from the smallest applications through to the very large; all in modular fashion. The full capabilities of the NK Series systems are available when using a Kondor 2 routing switcher level, including the Phoenix Control Surface, IPS Network Bridge, virtual routing core and GPI interface. Naturally, all NK Series control panels may be used as well as Geneos control panels via the J-Box interface.



## Ordering Information

<b>K2-RFA-15</b>	Kondor 2 '15' Rack Frame Kit
<b>K2-RFA-1551</b>	Kondor 2 '1551' Rack Frame Kit
<b>PSU-55PP</b>	PSU-55PP 1000W Power Supply
<b>PSU-55PN</b>	PSU-55PN 500W/500W +/- Power Supply
<b>K2-144XH</b>	144 x 144 SD / HD (Multi Definition) Matrix Board
<b>K2-IMD/OMD</b>	SD / HD (Multi Definition) Input(EQ) / Output 8 Ch
<b>K2-ISE/OSN</b>	SDI Input(EQ) / Output 8ch
<b>K2-64XV</b>	64x64 Analogue Video Matrix Board
<b>K2-IV/OV</b>	Analogue Video Input / Output 8 Ch
<b>K2-64XD</b>	64 X 64 AES Matrix Board
<b>K2-IDE/ODE</b>	AES Input / Output 16ch
<b>K2-64XA</b>	64x64x1 Analogue Audio Matrix Board
<b>K2-IA/OA</b>	Analogue Audio Input / Output 16ch